

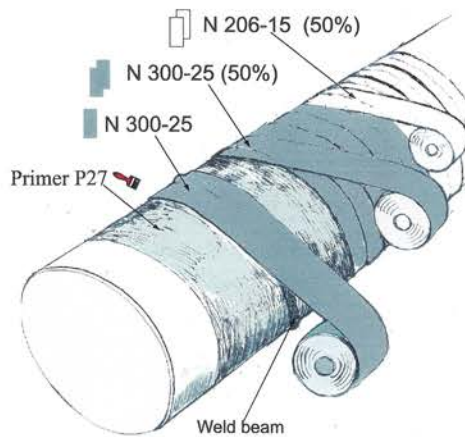
## Product Data Sheet

# SERIES 300 INNER ALTENE



- Backing** Special blend of stabilized polyethylene
- Adhesive** Butyl rubber and Adhesion Promoting Resins
- Color** Black

### Application



### Photo



PRODUCT PROPERTIES	TEST METHOD	300.15	300.20	300.25
Total Thickness	ASTM D1000	15 mils	20 mils	25 mils
Backing of PE film	ASTM D1000	9 mils	12 mils	13 mils
Butyl Rubber Adhesive	ASTM D1000	6 mils	8 mils	12 mils
Tensile Strength	ASTM D1000	40 N/cm.	55 N/cm.	62 N/cm.
Elongation	ASTM D1000	300%	330%	350%
Peel Adhesion to Primed Steel	ASTM D1000	24.5 N/cm.	25 N/cm.	26.5 N/cm.
Water Vapor Transmission Rate	ASTM E 96	0,10 g/m <sup>2</sup>	0,10 g/m <sup>2</sup>	0,09g/m <sup>2</sup>
Water Absorption	ASTM D570	0,10%	0,10%	0,08%
Volume Resistance	ASTM D257	2.0x10 <sup>15</sup> ohm.cm.	2.5x10 <sup>15</sup>	2.5x10 <sup>15</sup>
Dielectric Strength	ASTM D149	30 Kv	35 kV	42 kV
Application Temperature		-20°C to +70°C		
Max Serve Temperature		-35°C to +80°C		
Recommended Primer		P16 or P27		

**The typical values** given are the average of minimum and maximum values defined by Coatec s.r.l. for acceptance of the product. The values measured according to standard procedures, are obtained from specimen of samples collected according to Coatec s.r.l. test procedures, and conditioned under controlled conditions. In absence of purchasing specifications for the inspection and acceptance of the product, Coatec s.r.l. will refer to its procedures, conditions and tolerances. Values obtained on site will vary depending on the test methods and conditions. Whilst Coatec s.r.l. warrants its products to be free of material and manufacturing defects, Coatec s.r.l. disclaims any liability in connection with the misure of Coatec s.r.l. products.