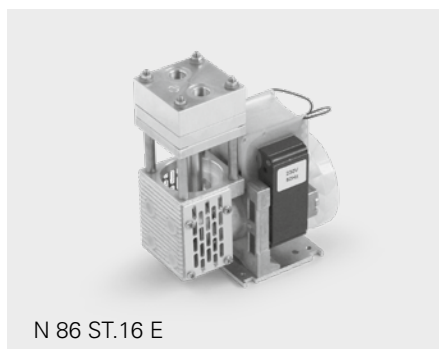


# N 86.16 SERIES

## TEMPERATURE-RESISTANT GAS SAMPLING PUMPS



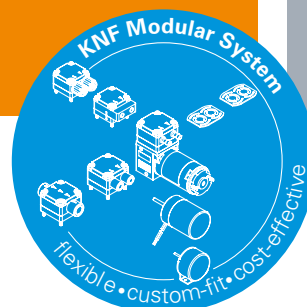
N 86 ST.16 E

### ADVANTAGES

- The temperature-resistant pump head is ideal for transferring hot process gases of up to 240 °C
- High chemical resistance
- Compact size

### POSSIBLE AREAS OF USE

- Environmental monitoring – especially motor test benches in automobile industry
- Analytical technology
- Research



Please visit our website  
[www.knf.com](http://www.knf.com)  
 to get more information

### PERFORMANCE DATA

Series model	N 86	
Material design	AT.16 E	ST.16 E
Pump head	Aluminum	Stainless steel
Diaphragm	PTFE	
Valves	PTFE	
Flow rate at atm. pressure (l/min)	6.0	
Ultimate vacuum (mbar abs.)	290	
Max. operating pressure (bar rel./psig)	1.5/21.8	
Permissible ambient temperature (°C)	+5 ... +40	
Permissible media temperature (°C)	+5 ... +240	
Weight (kg/lbs)	1.3/2.9	1.5/3.3

### ELECTRICAL DATA

Voltage (V)	230
Motor	Shaded pole motor
Protection class motor	IP 00
Frequency (Hz)	50
Power P <sub>1</sub> (W)	60.0
I <sub>max</sub> (A)	0.70

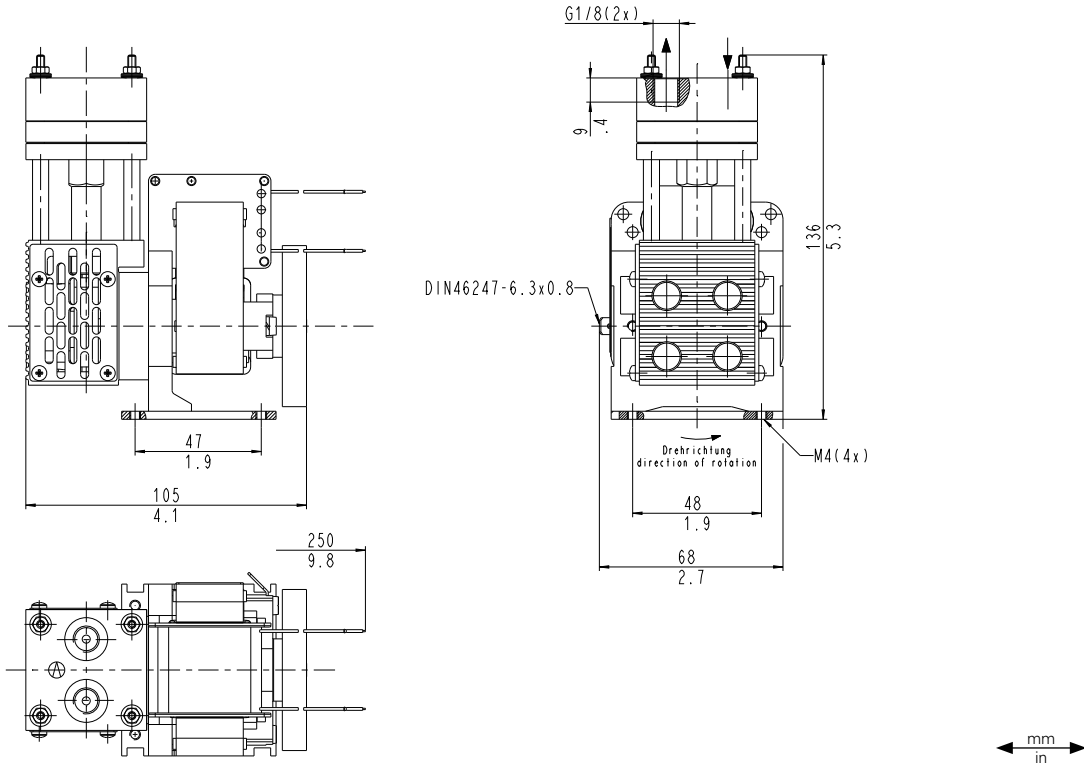
# N 86 AT.16 E | N 86 ST.16 E

## PERFORMANCE DATA

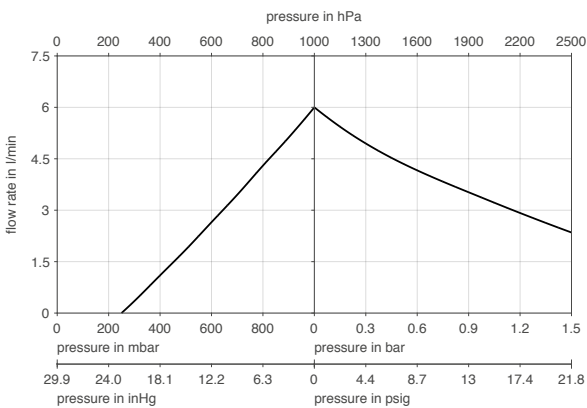
Series model	Flow rate at atm. pressure (l/min) <sup>1)</sup>	Max. operating pressure (bar rel./psig)	Ultimate vacuum (mbar abs.)
N 86 AT.16 E	6.0	1.5/21.8	290
N 86 ST.16 E	6.0	1.5/21.8	290

<sup>1)</sup> Liter at STP

## N 86 AT.16 E | N 86 ST.16 E



## N 86 \_T.16 E



## ACCESSORIES

Description	Part No.
Wrench for retainer plate	018812
Holding tool	055662

## SPARE PARTS

Description	Part No.
Valve plate	006066
Wave diaphragm	012074
O-ring	052713
Disk spring	005205

The performance values for the series models shown on this data sheet were determined under test conditions. The actual performance values may differ and depend in particular on the usage conditions and therefore on the specific application, on the parameters of the components involved in the user's system and on any technical modifications carried out which deviate from the standard configuration or the as delivered condition.

If individual designs have been created for specific customers on the basis of series models, other technical performance data may apply. Before operation begins, the relevant operating instructions and/or assembly or installation instructions should be read and the safety information contained in these instructions should be noted. KNF reserves the right to make changes to the product and the associated documentation without prior notice to the customer.



[www.knf.com](http://www.knf.com)